

4

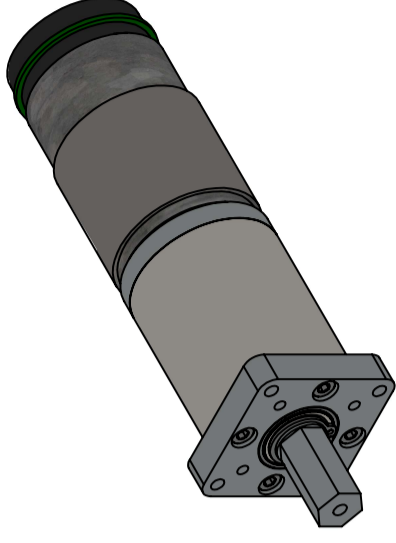
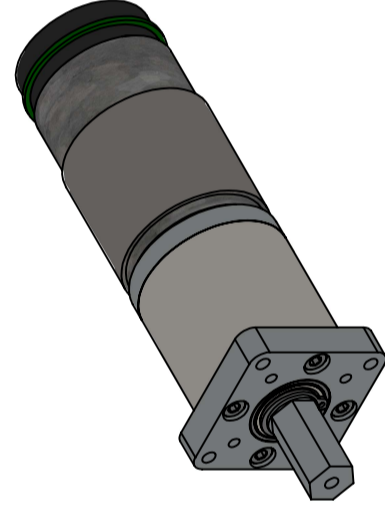
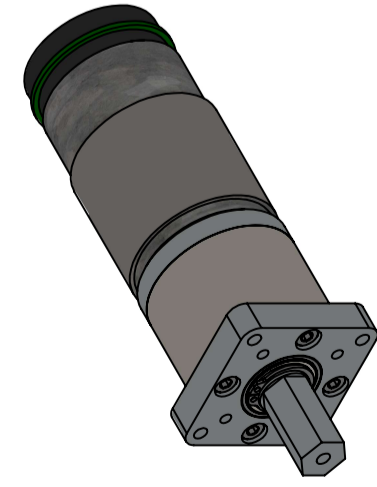
3

2

1

REVISION HISTORY		
REV.	DESCRIPTION	DATE
1	ORIGINAL PRINT	11/8/2017

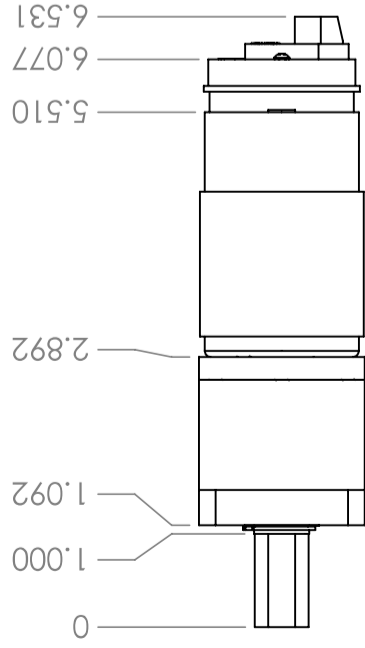
DRAWN BY	
K. NEPOMUCENO	



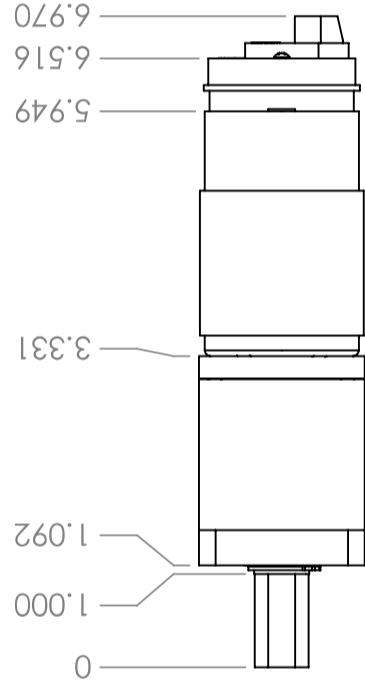
B

B

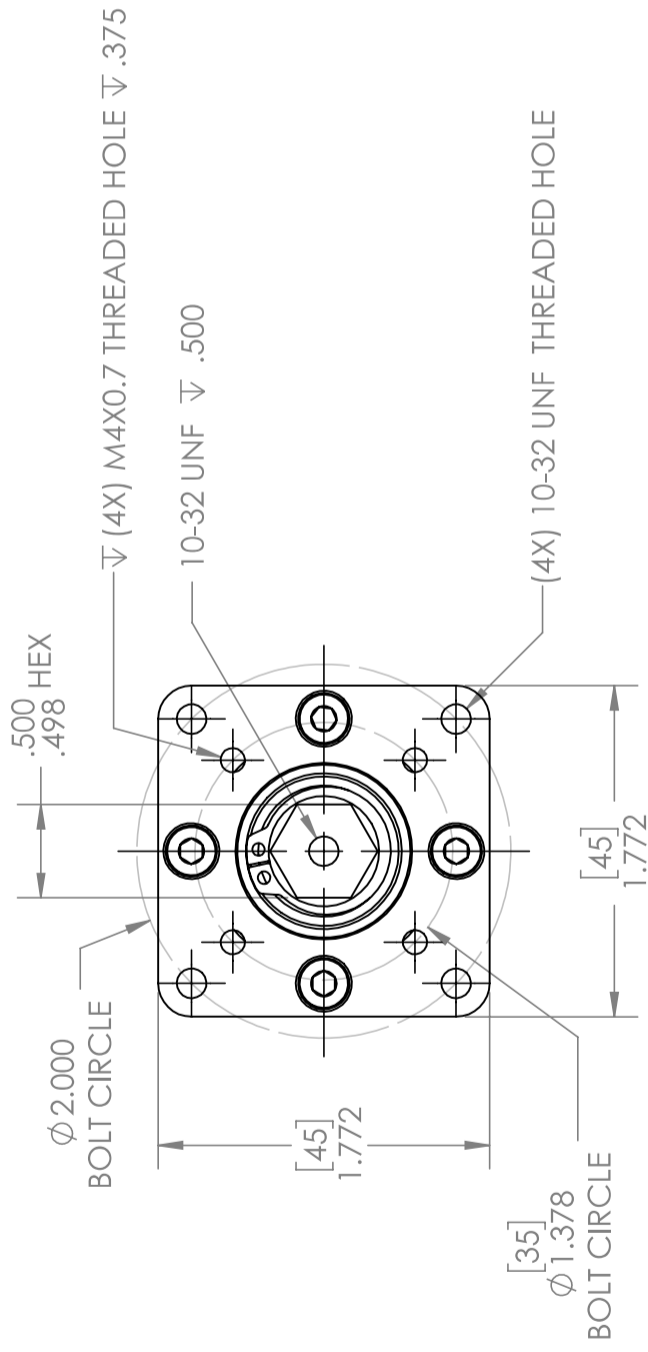
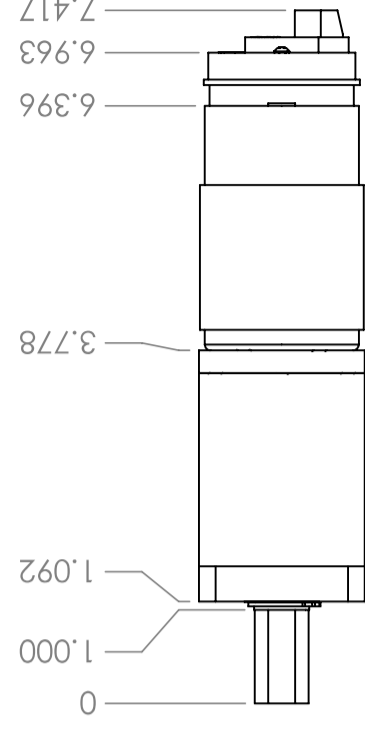
RATIO 27:1
(am-3654)



RATIO 71:1
(am-3655)



RATIO 188:1
(am-3656)



A

A

*** SEE CAD FOR ADDITIONAL TOOLPATH INFO***

UNLESS OTHERWISE SPECIFIED:		COMMENTS:	
DIMENSIONS ARE IN INCHES		DUAL DIMENSIONS ARE IN MILLIMETERS.	
FRACTIONAL	±1/16	BREAK ALL SHARP EDGES.	
ANGULAR: MACH	±1°		
ANGULAR: BEND	±5°		
ONE PLACE DECIMAL	±0.1		
TWO PLACE DECIMAL	±0.01		
THREE PLACE DECIMAL	±0.005		
FOUR PLACE DECIMAL	±0.0005		
MATERIAL		NAME	DATE
FINISH		NM	11/9/17
DO NOT SCALE DRAWING		CHECKED	
		ENG APPR.	
		MFG APPR.	
		G.A.	
		SIZE	DWG. NO.
		B	
		REV	1



TITLE: PG 500 HEX SERIES
W/MOTOR & ENCODER

SCALE: 1:2 SHEET 1 OF 4

4

3

2

1